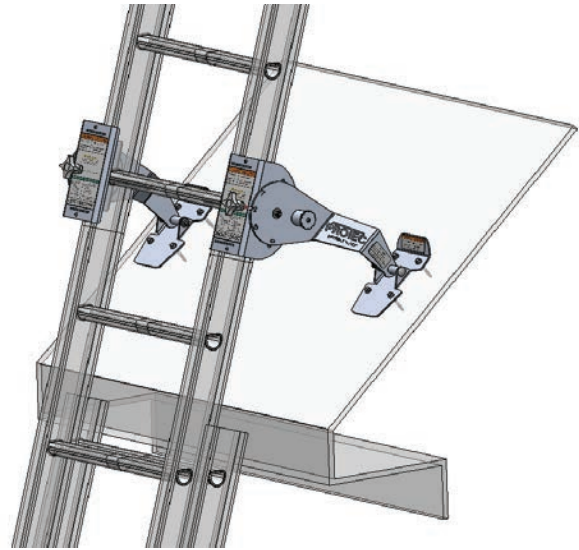


Model :  
**Protecmi Adjustable Stabilizer**

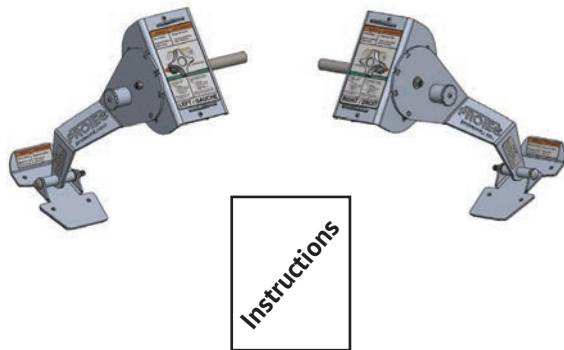
Standard Compliance  
**ANSI-ASC A14.8-2013**

Type and duty rating  
**Type IA, Extra Heavy Duty**

May be used on most Aluminum and  
Fiberglass extension ladders with  
open-ended rungs



## Content



## Tools necessary for installation

Hex key 3/32"



Wrench 3/8"



## GENERAL SAFETY INSTRUCTIONS

**WARNING ! Risk of falling. Read instructions before using.**

**WARNING ! Risk of falling. Secure to roof with 4 screws.**

Read and follow other instructions on the ladder.  
Use fall protection in accordance with local, state/province and federal regulations.  
Inspect all equipment before and after each use to be sure that there is no damage or deformation to equipment.  
Never exceed maximum intended load of ladder.  
Ladder side rails must extend at least 3 ft. above upper landing surface.  
Never stand on rung above Protecmi Stabilizer nor on the Stabilizer itself.

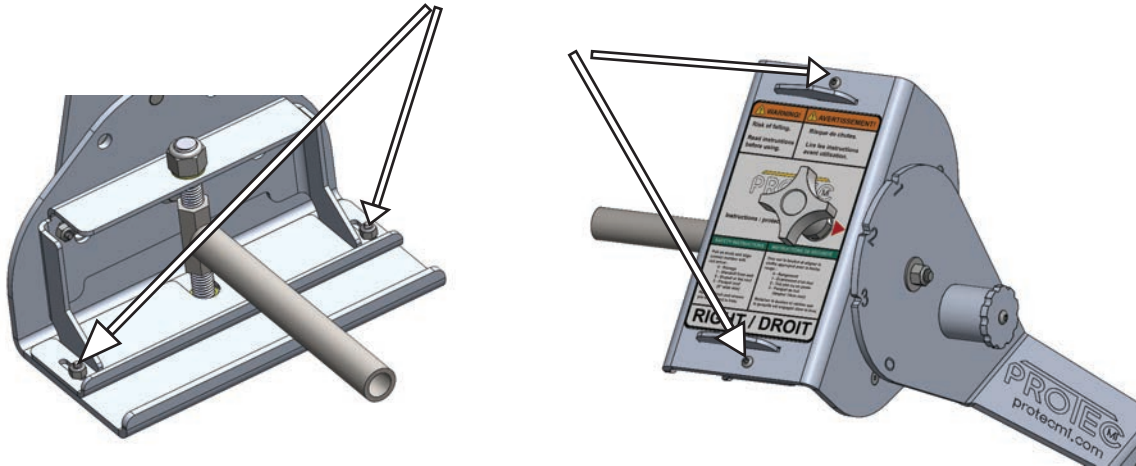
Always make sure that Protecmi Stabilizer is secured on the ladder prior to each use.  
Stay 14 feet away from energized power lines.  
Do not disassemble.  
Do not paint.

Contact manufacturer to replace warning stickers.

These instructions are available online at [protecmi.com](http://protecmi.com)

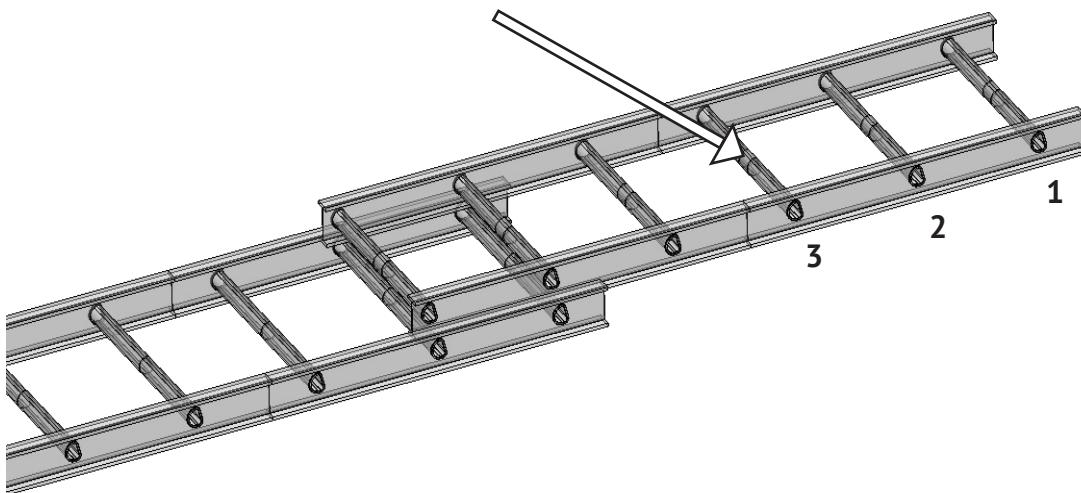
## INSTALLATION INSTRUCTIONS

**Step 1 :** With suggested tools, loosen the bolts shown on **figure 1** on both **right** and **left** stabilizers.



**Figure 1 :** Bolts (2 per side) to loosen

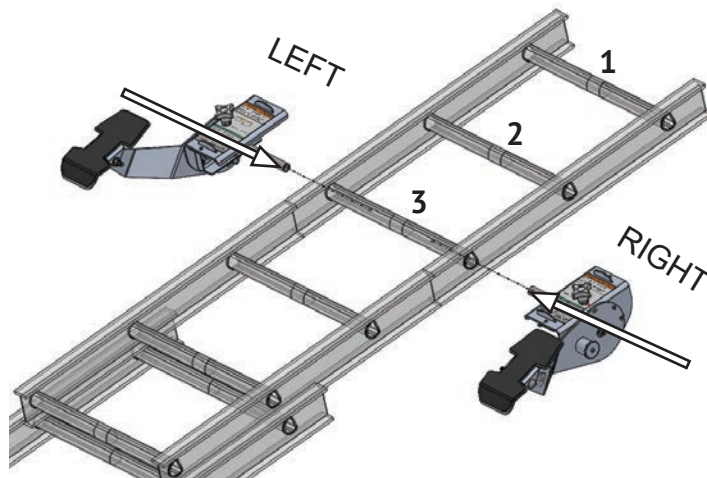
**Step 2 :** Identify the third rung from the top, on the extension part of the ladder as shown on **figure 2**.



**Figure 2 :** Identification of third rung from top of ladder

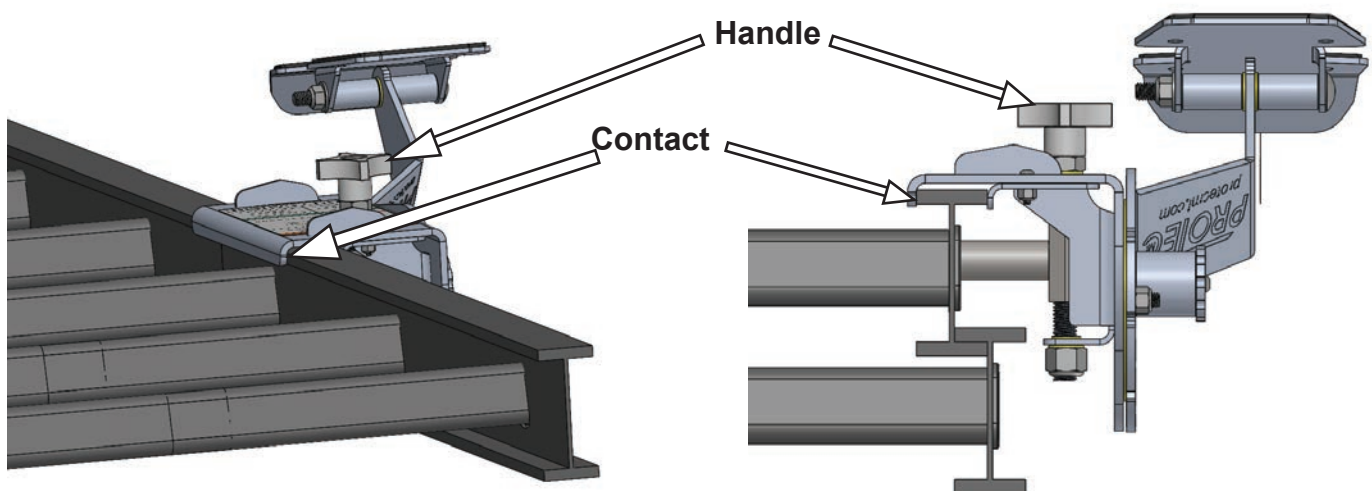
## INSTALLATION INSTRUCTIONS

**Step 3 :** Place ladder flat on the ground with extension on top. (Stabilizers are delivered in the storage position “0”. If it is not the case, see “Instructions for use” to adjust position at « 0 ».) Insert the rod from each stabilizer inside the third rung on each side, as shown in **figure 3**. Stabilizers are labeled “LEFT” and “RIGHT”. Stabilizers must be installed so it is possible to read “LEFT” and “RIGHT” upright and on their respective sides when climbing the ladder.



**Figure 3 :** Position for rod insertion in the third rung.

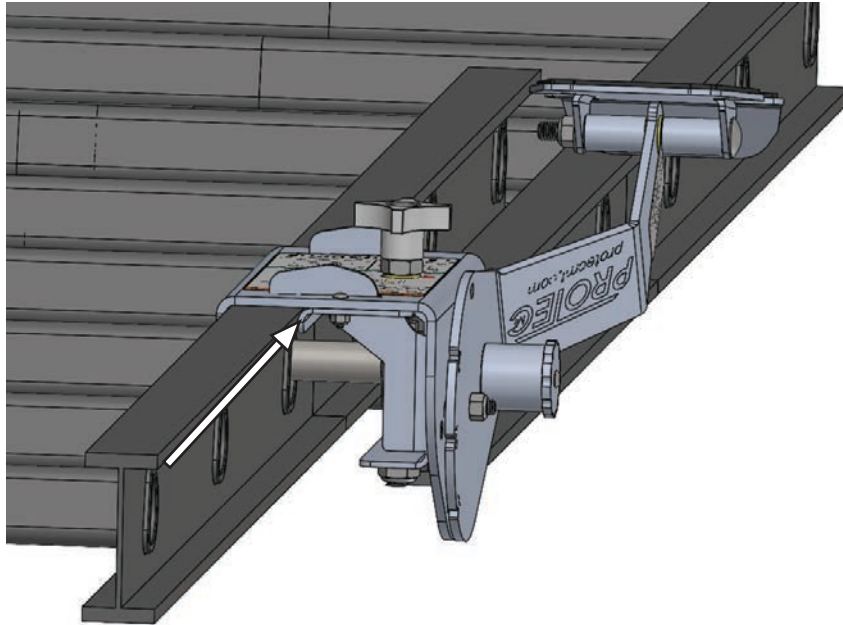
**Step 4 :** Bring the stabilizer to make contact with the inside edge of the ladder as shown in **figure 4**. Next, tighten the handle. Repeat on the other side.



**Figure 4 :** Contact and tightening on the ladder

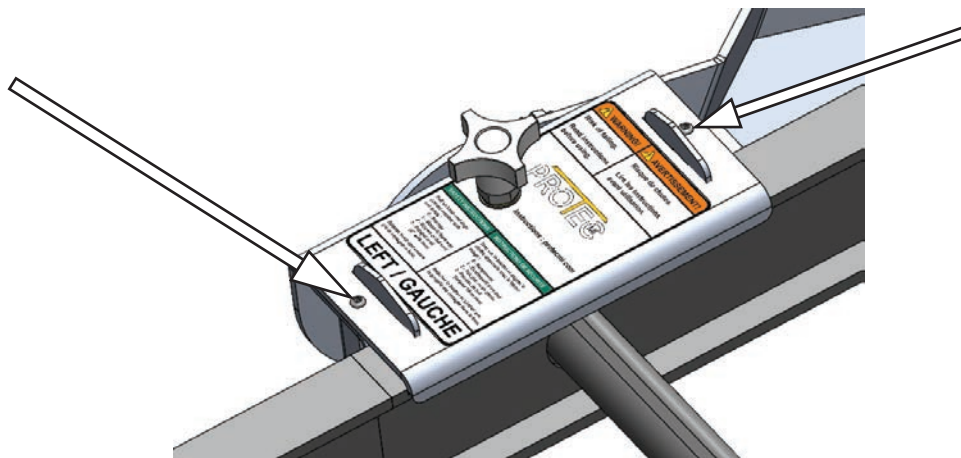
## INSTALLATION INSTRUCTIONS

**Step 5 :** Move the previously loosened mobile part of the stabilizer so it makes contact with the outside edge of the ladder (see **figure 5**)



**Figure 5 :** Contact of loosened part with ladder

**Step 6 :** With suggested tools, tighten both screws previously loosened in Step 1 as shown in **figure 6**. Repeat on the other side.



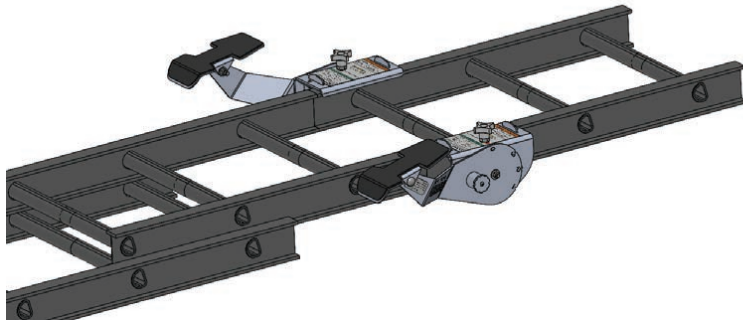
**Figure 6 :** Tightening of both screws on each side

## INSTRUCTIONS FOR USE

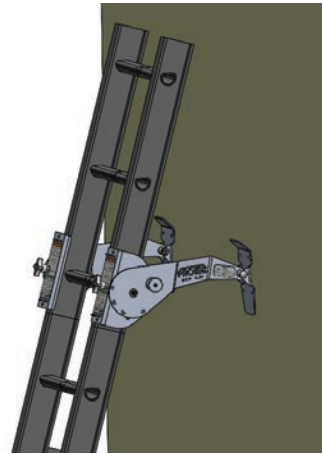
**Step 1 :** Before using ladder with stabilizers installed, adjust the position of stabilizer arms according to your situation. Both stabilizers **must** have the same adjustment on each side at all times.

Adjustment Position	Situation
0	Storage
1	Standoff from wall
2	Sloped or flat roof
3	Parapet roof (6" wide minimum)

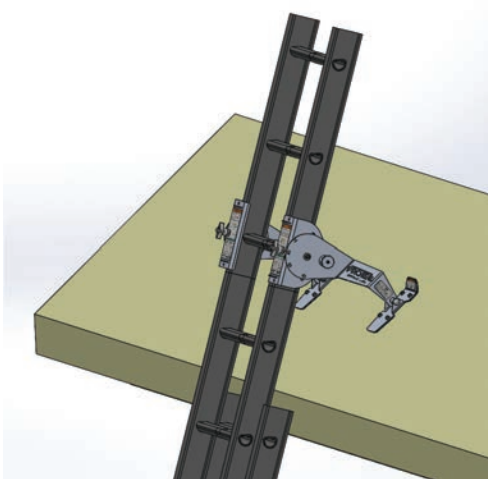
Refer to **figure 7** for representations of the different situations.



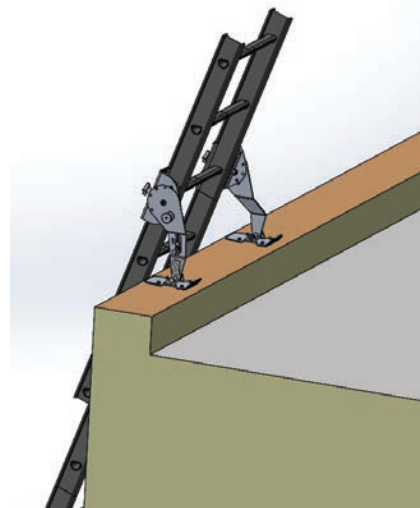
**Position 0 : Storage**



**Position 1 : Standoff from wall**



**Position 2 : Sloped or Flat Roof**

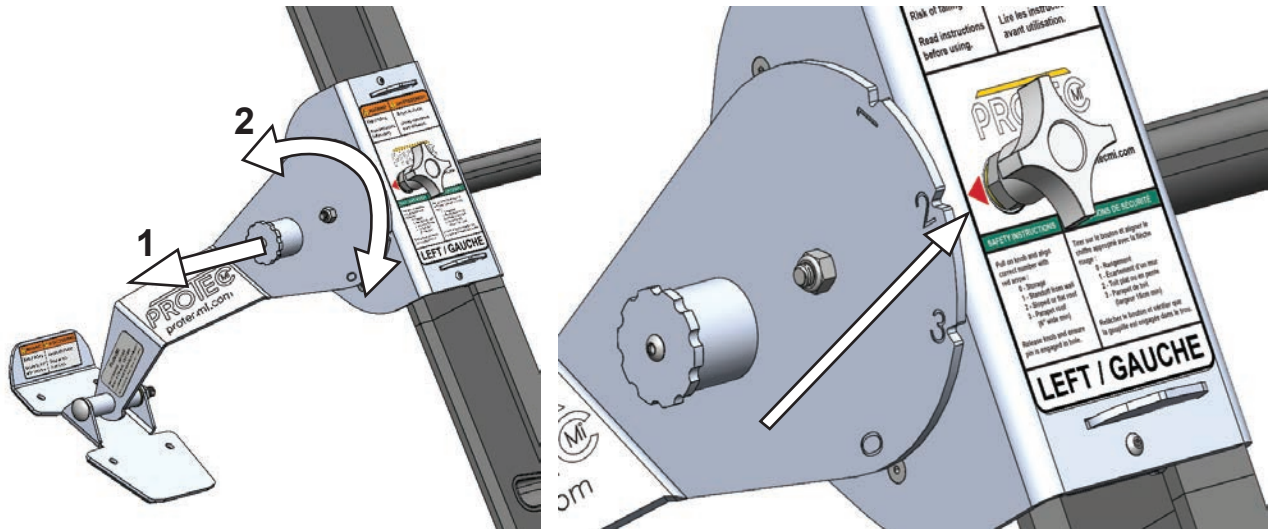


**Position 3 : Parapet Roof**

**Figure 7 : Cases representations**

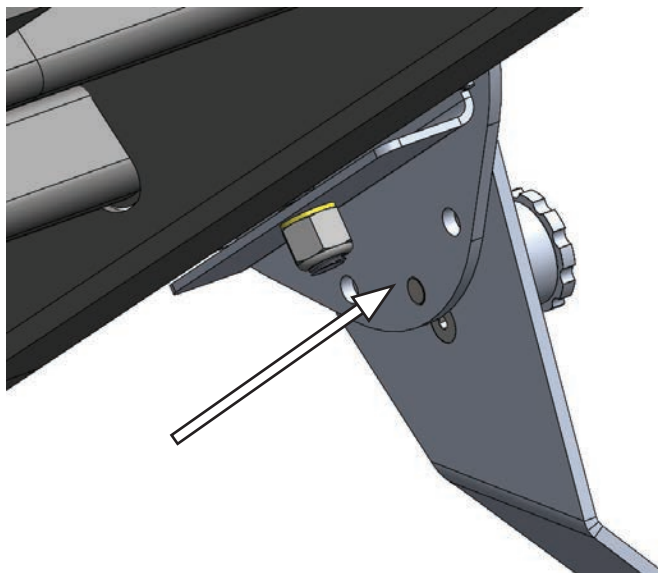
## INSTRUCTIONS FOR USE

**Step 1 (continued):** To adjust the position of the arms, pull on knob, rotate the arm to align correct number with red arrow while pulling on knob. (See **figure 8**)



**Figure 8 : Adjustment sequence**

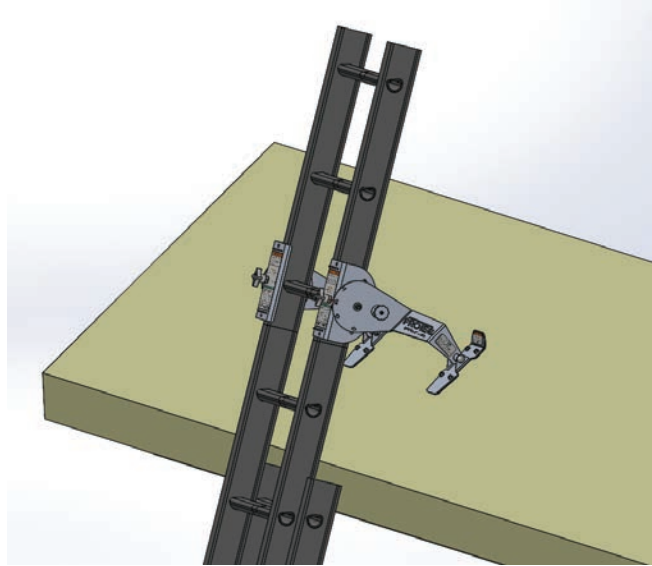
Release knob and make sure its pin is well inserted in the correct hole. (See **figure 9**)



**Figure 9 : Adjustment holes and knob pin.**

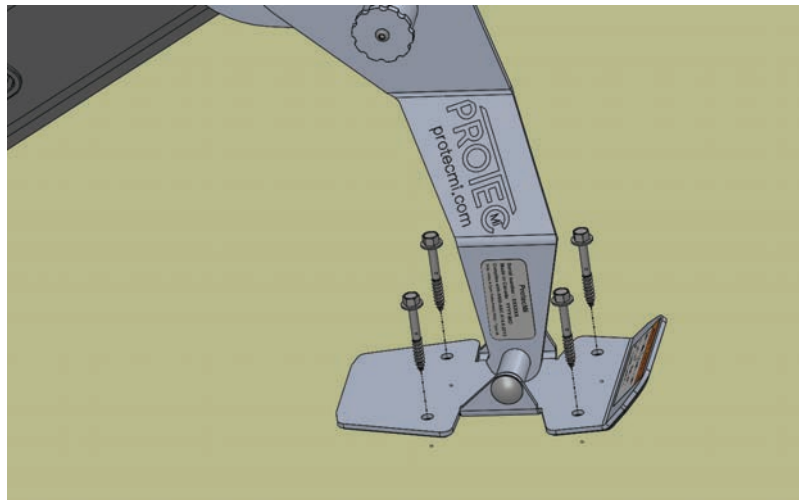
## INSTRUCTIONS FOR USE

**Step 2 :** Place ladder in position on the building with extension upward and on top of lower part of ladder. Position ladder so stabilizer arms are in contact with the wall (for position 1) or roof (position 2 or 3) (See **figure 10**).



**Figure 10 :** Example: Position of the ladder with stabilizers in position 2

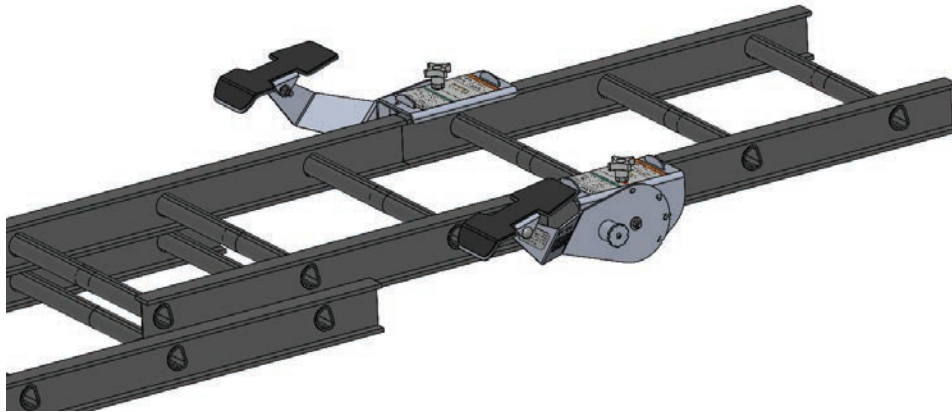
**Step 3 :** For positions 2 or 3, secure feet on roof with (4) screws #12 per foot, for left and right stabilizers, as shown in **figure 11**.



**Figure 11 :** Secure feet with 4 screws per side

## STORAGE INSTRUCTIONS

It is possible to store and carry your ladder while leaving the stabilizers installed. To do so, adjust stabilizer arms to storage position "0".



## MAINTENANCE

Stabilizers can be cleaned with mild soap and water. **Do not use corrosive products.**